

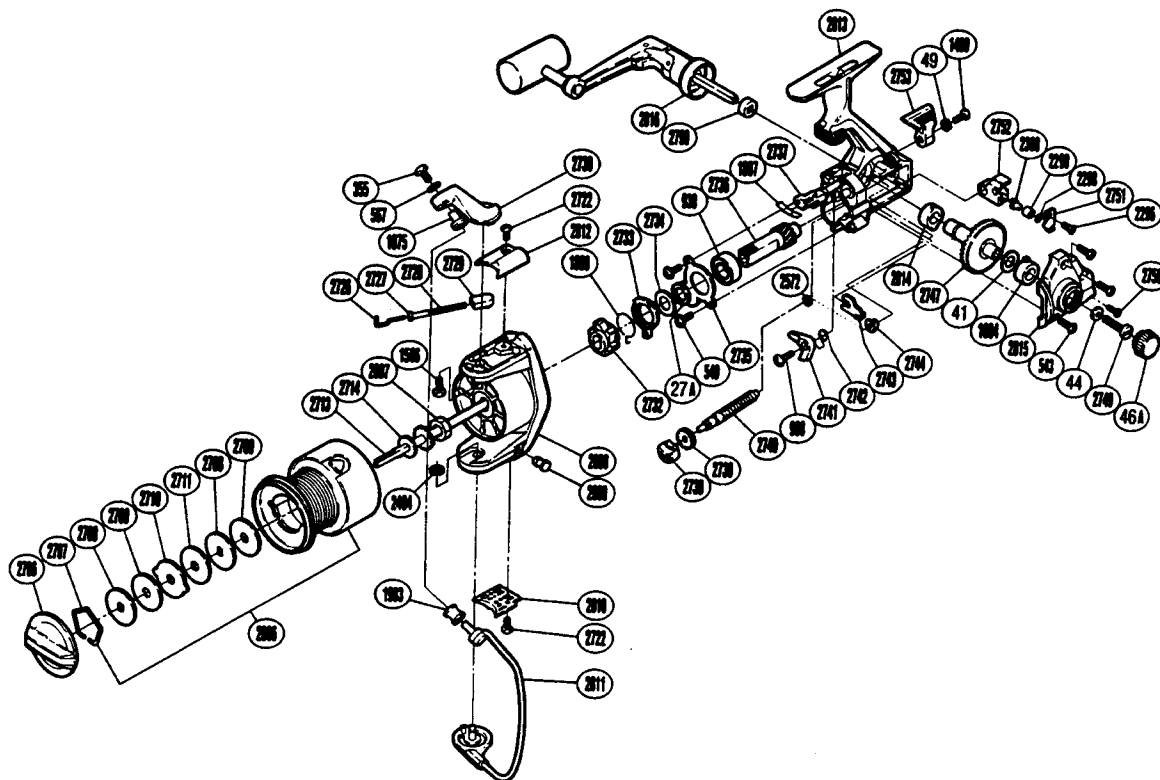
EXPLODED PARTS VIEW



SHIMANO

1990 REPAIR MANUAL

Shimano American Corporation, One Shimano Dr.
Irvine, CA 92718



TO ORDER: USE RD PREFIX
WITH PART NUMBER

PARTS LIST

RD #	DESCRIPTION	RD #	DESCRIPTION	RD #	DESCRIPTION
0027A	Pinion Spacer	2572	Worm Shaft Spacer (Optional)	2740	Worm Shaft
0041	Drive Gear Washer	2706	Drag Knob	2741	Anti-Reverse Pawl
0044	Handle (Screw) Lock Washer	2707	Drag Washers Retainer	2742	Anti-Reverse Pawl Spring
0046A	Handle Screw Cap	2708	Key Washer	2743	Worm Shaft Retainer
0049	Lock Washer	2709	Drag Washer 1	2744	Worm Bearing (Rear)
0355	Line Roller Screw (Nylock)	2710	Eared Washer	2747	Drive Gear
0540	Anti-Reverse Pawl Screw	2711	Drag Washer 2	2749	Handle Lock Screw
0543	Side Cover Screw (B)	2713	Main Shaft	2750	Side Cover Screw
0567	Lock Washer	2714	Spool Washer	2751	Oscillating Cover Screw
0930	Ball Bearing	2722	Bail Spring Cover Screw	2752	Oscillating Slider
0998	Anti-Reverse Pawl Screw	2726	Bail Spring Guide (A)	2753	Anti-Reverse Lever
1004	Bushing A	2727	Bail Spring Bushing	2799	Handle Lock Spacer
1075	Line Roller Washer	2728	Bail Spring	2806	Spool Assembly
1490	Anti-Reverse Lever Screw	2729	Bail Spring Guide (B)	2807	Rotor Nut
1506	Bail Spring Cover Screw	2730	Bail Arm	2808	Rotor
1888	Anti-Reverse Lock Out Spring	2732	Anti-Reverse Ratchet	2809	Rotor Plug
1897	Anti-Reverse Cam Spring	2733	Anti-Reverse Lock Out	2810	Rotor Cover
1983	Sic Ceramic Roller	2734	Anti-Reverse Lock Out Spacer	2811	Bail Assembly
2296	Slider Retainer Screw	2735	Bearing Retainer	2812	Bail Spring Cover
2298	Spacer	2736	Pinion Gear	2813	Body
2299	Oscillating Slider Bushing	2737	Anti-Reverse Cam	2814	Bushing (B)
2300	Oscillating Pawl	2738	Worm Bearing (Front)	2815	Side Cover
2404	Idle Gear Retainer	2739	Idle Gear	2816	Handle Assembly

Prices and specifications subject to change without notice.